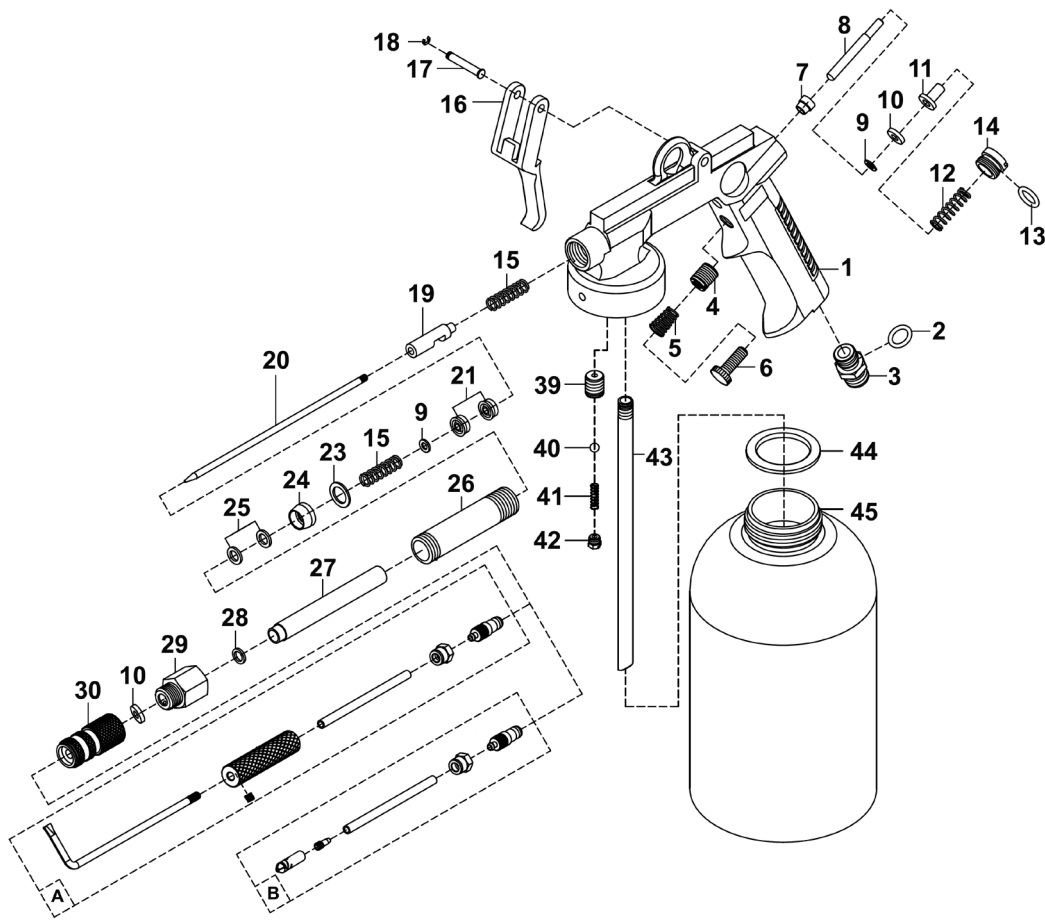


## Parts Information: Air Operated Wax Injector Kit Model No: SG18.V3



| Item | Part No.   | Description              |
|------|------------|--------------------------|
| 1    | SG18.V3-01 | Gun Body                 |
| 2    | SG18.V3-02 | O-Ring 8 x 1.8mm         |
| 3    | SG18.V3-03 | Inlet Fitting            |
| 4    | SG18.V3-04 | Trigger Adjusting Seat   |
| 5    | SG18.V3-05 | Trigger Adjusting Spring |
| 6    | SG18.V3-06 | Trigger Adjusting Screw  |
| 7    | SG18.V3-07 | Sealing Ring             |
| 8    | SG18.V3-08 | Air Valve Stem           |
| 9    | FWM4.S     | Flat washer M4 Single    |
| 10   | SG18.V3-10 | Air Valve Stem Gasket    |
| 11   | SG18.V3-11 | Air Valve Stem Seat      |
| 12   | SG18.V3-12 | Air Valve Spring         |
| 13   | SG18.V3-13 | O-Ring 10 x 1.8mm        |
| 14   | SG18.V3-14 | Sealing Screw            |
| 15   | SG18.V3-15 | Needle Spring            |
| 16   | SG18.V3-16 | Trigger                  |
| 17   | SG18.V3-17 | Trigger Pin              |
| 18   | SG18.V3-18 | E-Clip 3mm               |
| 19   | SG18.V3-19 | Needle Seat              |

| Item | Part No.   | Description                         |
|------|------------|-------------------------------------|
| 20   | SG18.V3-20 | Needle                              |
| 21   | SG18.V3-21 | Sealing Gasket                      |
| 23   | SG18.V3-23 | Packing                             |
| 24   | SG18.V3-24 | Rubber Seat                         |
| 25   | SG18.V3-25 | Gasket                              |
| 26   | SG18.V3-26 | Aluminium Tube (Outer)              |
| 27   | SG18.V3-27 | Aluminium Tube (Inner)              |
| 28   | SG18.V3-28 | Gasket                              |
| 29   | SG18.V3-29 | Front Nozzle                        |
| 30   | SG18.V3-30 | Coupler                             |
| 39   | SG18.V3-39 | Valve Seat / Valve Seat             |
| 40   | SB-4.0     | Steel ball 4.0mm / Steel ball 4.0mm |
| 41   | SG18.V3-41 | Valve Spring / Valve Spring         |
| 42   | SG18.V3-42 | Valve Screw / Valve Screw           |
| 43   | SG18.V3-43 | Fluid Tube / Fluid Tube             |
| 44   | SG18.V3-44 | Sealing Gasket / Sealing Gasket     |
| 45   | SG18.V3-45 | Fluid Pot / Fluid Pot               |
| A    | SG18.V3-A  | Hook Nozzle Assembly                |
| B    | SG18.V3-B  | 360° Nozzle Assembly                |

**NOTE:** It is our policy to continually improve products and as such we reserve the right to alter data, specifications and component parts without prior notice. There may be alternative versions of this product, please contact us should you require this information.

**IMPORTANT:** No liability is accepted for incorrect use of product. Spare parts must be fitted by a competent person

**WARRANTY:** Guarantee is 12 months from purchase date, proof of which will be required for any claim.